

SALFORD

AWM CLASSIC C-FLEX CCT

AERWAY

SALFORD

CLASSIC

**⚠ DANGER**  
ROTATING TINES  
KEEP AWAY!  
TO PREVENT SERIOUS INJURY OR DEATH  
1. STOP AND DISCONNECT ALL POWER SOURCES  
& TIGHTEN ALL BOLTS

SALFORD AERWAY



# ACHIEVE TOTAL SOIL AND PASTURE MANAGEMENT

For nearly 40 years, AerWay has been a leader in soil aeration, offering effective compaction relief and improvements in soil health across a variety of applications. By creating vital soil fractures, AerWay enhances water and air movement, promoting deeper root growth and better plant vitality.

With models designed for everything from pasture management to conservation tillage, AerWay equipment supports efficient residue breakdown, loosens soils, and promotes year-round productivity. Built for durability, AerWay tools ensure reliable, efficient soil management in all conditions.





## TABLE OF CONTENTS

<b>AerWay BENEFITS</b>	<b>4</b>
<b>HAY AND PASTURE</b>	<b>6</b>
<b>AWM</b>	<b>8</b>
<b>CLASSIC</b>	<b>10</b>
<b>TILLAGE</b>	<b>12</b>
<b>C-FLEX</b>	<b>14</b>
<b>CCT</b>	<b>16</b>

# SOIL AERATION BENEFITS



## REVITALIZE YOUR SOIL WITH AERWAY® TECHNOLOGY

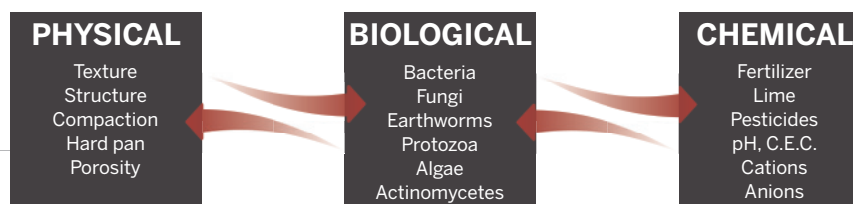
AerWay® Shattertines lift and fracture compacted soil to improve air and water movement, creating channels up to 8 inches deep. This process strengthens root development, boosts yields, improves fertilizer use, and enhances soil moisture retention while reducing runoff.

Thousands of growers trust AerWay for better soil health and performance.

## SOIL BASICS: PHYSICAL, BIOLOGICAL, AND CHEMICAL BALANCE

Soil productivity relies on three systems: physical, biological, and chemical. The physical condition of soil is crucial for efficient biological and chemical activity, which supports plant growth. Soil tilth measures the balance of air, minerals, water, and organic matter. Proper balance enhances soil productivity by promoting interactions between these systems, especially air and water, which are vital for root growth.

Compacted soil reduces air and water availability, restricting biological and chemical processes, impairing root development, and harming crop yields.

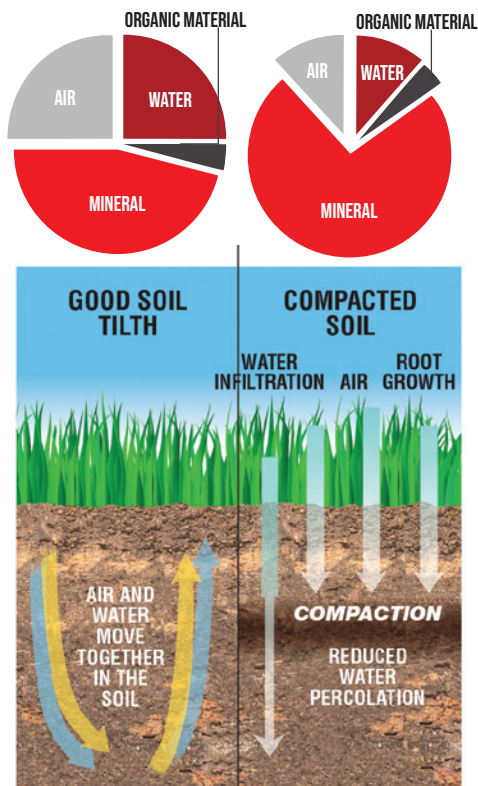


## THE ANSWER MECHANICAL AERATION

Since soil compaction is a physical problem, the best solution is mechanical aeration. The ideal type of aeration treatment is fast, efficient, cost effective, and easy to perform – just what you get with patented AerWay® Shattertine aeration.



# AERWAY® GOES TO THE HEART OF THE PROBLEM BY RELIEVING COMPACTION



## AIR AND WATER MOVE TOGETHER

Correcting compaction makes a dramatic improvement in soil tilth. It is the most basic step you can take to improve crop production. That's because air and water move together in the soil profile. With proper air / water balance in the soil, all the biological and chemical systems work at peak efficiency.

Compaction makes both wet and dry soil conditions more severe. It reduces the water holding capacity of soil which makes drought conditions worse, and inhibits drainage to make wet conditions more troublesome.

## AERWAY TINE PATTERN PREVENTS EROSION

Unlike many other pasture aeration tools that have blades or shanks in a row the alternating position of the AerWay roller tines are arranged in an offset pattern. This unique tine arrangement ensures there is never a continuous furrow or groves in the soil that would channel water and cause erosion.

## Jim Pallister – Pallister Farm Ltd.

Portage La Prairie, Manitoba  
13,500 acres Canola, Edible Beans, Wheat & Potatoes

"We believe in putting air into the soil, not soil into the air. Last Fall we purchased a new series 30 ft. (CCT) Close Coupled Tandem AerWay. Our prairie ground is wide open and we are very concerned about erosion and protecting our land.

The AerWay has helped us address these concerns. We can till the soil yet leave most of the stalks standing. The machine is easily adjusted to vary the degree of conservation tillage by simply moving the AerWay swing arms to mix in the crop residue. This helps to protect soils from erosion and allows the ground to warm sooner in the spring. We use the machine on our wheat, bean and canola ground. We are very pleased with our machine as it has met our expectations.

I would recommend the AerWay to farmers looking to reduce their tillage input costs while protecting their land."

## AERWAY'S® QUICK ADJUST ADVANTAGE

The patented AerWay Quick Adjust rollers allow you to control the degree of aeration and renovation. For example the lesser swing angles are used for aeration and compaction relief and the more aggressive angle for renovation and overseeding.



0 DEGREE ROLLER ANGLE



5 DEGREE ROLLER ANGLE



10 DEGREE ROLLER ANGLE

# STANDARD FEATURES

## HAY & PASTURE AWM | CLASSIC



### AERWAY SHATTERTINES

Shattertines crack and break up compacted soil to 8 inches deep, improving soil balance, microbial activity, and fertilizer efficiency.



### HEAVY-DUTY BEARINGS

AerWay Hay and pasture machines use heavy duty bearings designed to handle the tough conditions. They offer protection, durability and ease of maintenance.



### SOLID STEEL SHAFTS

Providing exceptional strength and durability for reliable performance in tough field conditions. This robust design ensures longevity and reduces maintenance.



### ADJUSTABLE ROLLER ANGLE

Adjustable roller angles allow for different roller angles. This allows for adjustment to control the aggressiveness.



# FINISHING OPTIONS

## CHAIN HARROWS

Durable and easy to use, achieve excellent seedbed prep, with AerWay chain harrows. The unit base is 2 in. heavy square tubing mounted to the frame. The 6-foot carriers are easily removed by a single pin. To achieve this, place the AerWay down, raise the rear of the harrow and secure on the rear hook. Finally, lift the front bar of the harrow and secure with the chain. A 3-point hitch lift frame is also available.

### THE HARROW IS IDEAL FOR:

- AerWay Classic and AWM machines
- Horse and cattle farmers spreading manure
- Preparing seed beds (can also be trailed behind disc)
- Covering seed (ideally suited for winter rye grass)
- Incorporating herbicides
- Harrowing fertilizer on hay fields to get faster, more vigorous regrowth
- Root raking, land leveling and landscaping with the addition of 3-point lift frame

### TEETH ARE PROVIDED ON BOTH SIDES

- 3-inch teeth are angled 45 degrees for better trash harrowing and lighter harrowing action on one side
- 3-inch teeth are angled 15 degrees on the opposite side for more rigid harrowing action
- The unique tooth arrangement of the harrow is self-cleaning under most conditions

Model Number	Chain Harrow Width
AW-CH07-3	7 ft.
AW-CH09-3	9 ft.
AW-CH11-3	11 ft.
AW-CH13-3	13 ft.
AW-CH15-3	15 ft.
AW-CH17-3	17 ft.
AW-CH19-3	19 ft.
AW-CH22-3	22 ft.
AW-CH24-3	24 ft.
AW-CH26-3	26 ft.



### DRAG CHAIN HARROWS

5/8 in. diameter, drag harrows are available from 5 ft. to 26 ft. wide and 84 in. deep.

# AWM

## MANUAL ROLLER ANGLE ADJUSTMENT

The AWM family of AerWay Models have been designed to satisfy the demands of farmers working smaller sized acreages. AerWay's adjustable roller settings allow the user to choose the degree of compaction relief, aeration, and/or residue incorporation.

### FRAME

- A structural steel weldment with integral weight trays. Available as either a 3-Point (AWM3) or a Pull-type (AWMP) configurations.

### ROLLERS

- Four tines per row at 7.5 in. spacing. Each roller shaft supported by two 2 in. pillow block bearings.

### FRACTURING

- Rollers adjust from 0°, 2.5° and 5° based on aeration.
- AWMP Hydraulics only on pull-type configurations.

### AWMP WHEELS

- (2) 9.5 in. X 15 in. – 8 ply ribbed agricultural tire mounted to six bolt hub.
- AWMP 3 in. bore x 12 in. stroke double acting cylinder with manual lockout.

	Model	Size	Transport Width	# of Tines	Approx. Weight**	H.P. Required*
THREE-POINT	AWM3-063	6.25 ft.	6.75 ft.	40	1,586 lbs.	38 - 63
	AWM3-075	7.5 ft.	8 ft.	48	1,806 lbs.	45 - 75
	AWM3-100	10 ft.	10.5 ft.	64	2,176 lbs.	60 - 100
PULL-TYPE	AWMP-063	6.25 ft.	6.75 ft.	40	2,386 lbs.	38 - 63
	AWMP-075	7.5 ft.	8 ft.	48	2,606 lbs.	45 - 75
	AWMP-100	10 ft.	10.5 ft.	64	2,976 lbs.	60 - 100

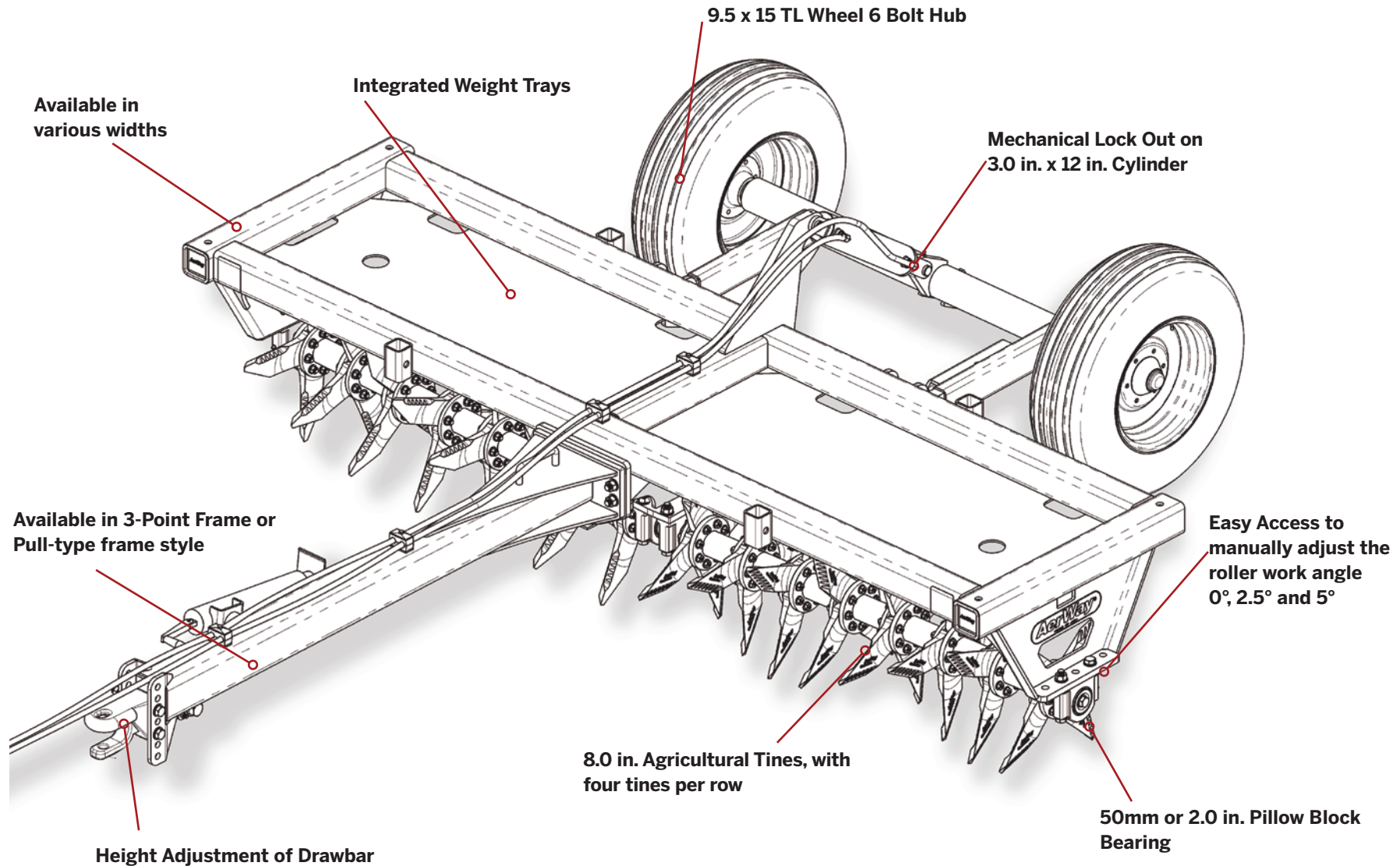
\*Horsepower requirements vary by speed and operating depth. \*\*Approx. weight includes harrows



IDEAL FOR  
**HAY & PASTURE**



# COMPACTION RELIEF | 3 SETTING ROLLER ANGLE ADJUSTMENTS | GREAT VALUE



# CLASSIC

QUICK PIN ROLLER  
ANGLE ADJUSTMENT

The AerWay Classic is a versatile and reliable aerator designed for optimal soil management in pasture and hay fields of all sizes. With its innovative design and patented Shattertines, the AerWay Classic lifts and fractures compacted soil, promoting better air and water movement for improved soil productivity. This durable implement features a single roller with adjustable tines, allowing users to fine-tune the aeration process to suit their specific needs, from overseeding to enhancing fertilizer retention.

Trusted by thousands of livestock producers, the AerWay Classic is an all-season tool that maximizes input efficiency and supports healthier root systems for higher yields.

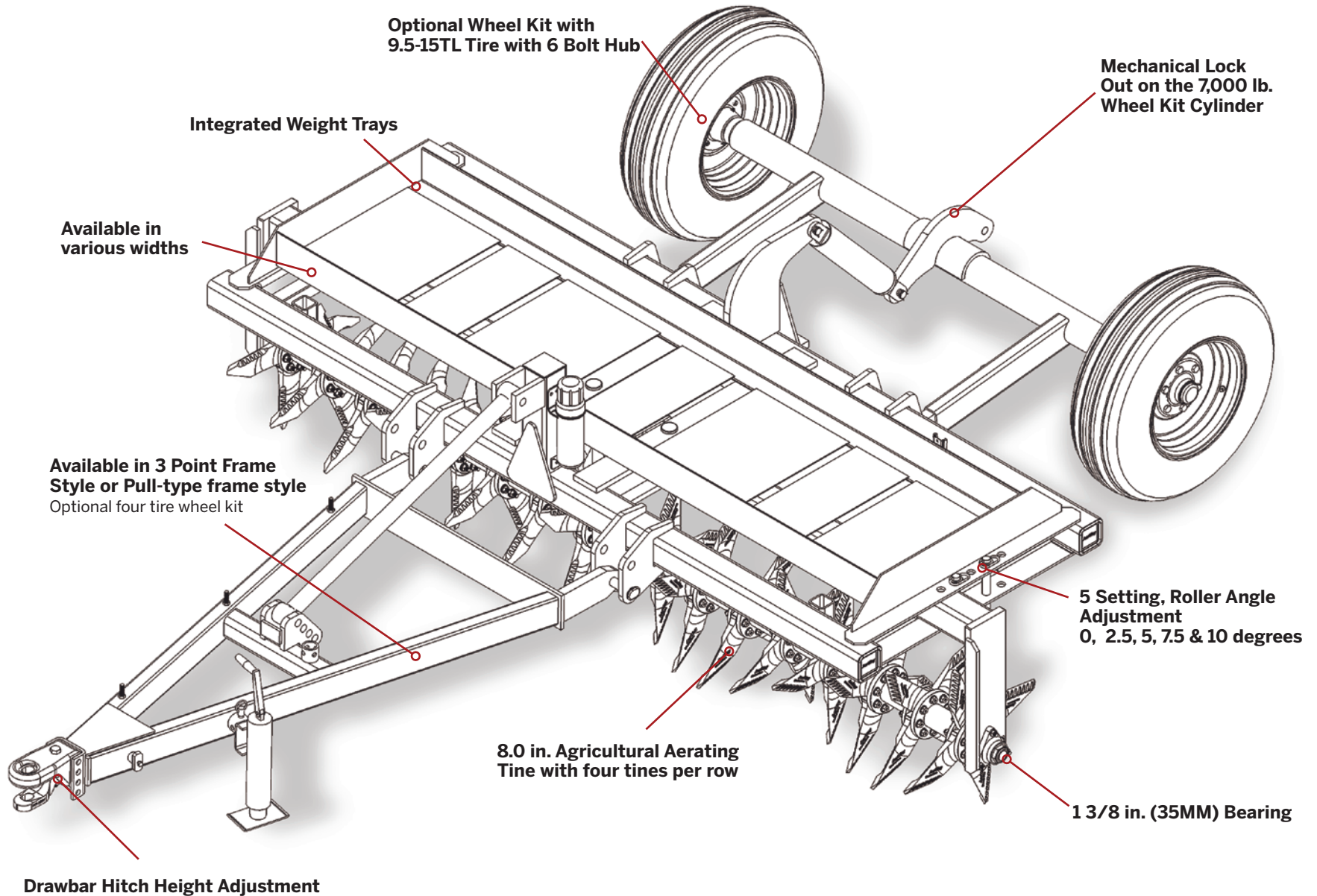
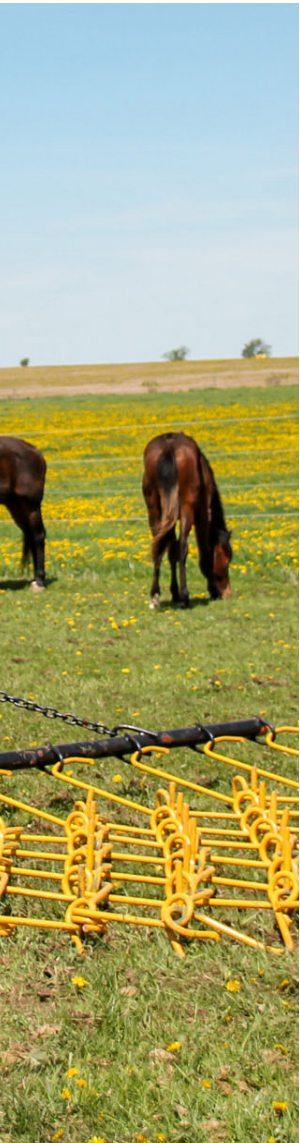
Model	Size	Transport Width	# of Tines	Approx. Weight**	H.P. Required*
AW100Q	10 ft.	10 ft. 4 in.	64	4,365 lbs.	75 - 100
AW120Q	12 ft.	12 ft. 4 in.	72	4,835 lbs.	100 - 130
AW150Q	15 ft.	15 ft. 3 in.	96	5,570 lbs.	130 - 160

\*Horsepower requirements vary by speed and operating depth. \*\*Approx. weight includes harrows



IDEAL FOR  
**HAY & PASTURE**

# RENOVATE PASTURES | 5 SETTING ROLLER ANGLE ADJUSTMENTS | BOOST YIELDS



# STANDARD FEATURES

## TILLAGE C-FLEX | CCT



### AERWAY SHATTERTINES

Shattertines crack and break up compacted soil to 8 inches deep, improving soil balance, microbial activity, and fertilizer efficiency.



### HEAVY-DUTY TRUNNION BEARINGS

All straight and folding frame machines use robust, no-lube, 50 mm bearings designed for tough conditions. Bearings are self-aligning and offer strong protection from debris.



### LIGHTING KITS

Lighting kits with brackets and harnesses are standard on folding frame models and optional on straight frame models. Compliance with local highway regulations is the user's responsibility.



### QUICK ADJUST SWING ARMS

Adjustable swing arms allow for varying tillage intensity, from light tillage in spring to more aggressive disturbance for fall operations.



### WING DOWN PRESSURE

A pre-set, adjustable valve allows weight transfer from the center frame to wings on folding models, optimizing performance based on ground conditions.



### C-FLEX OBSTACLE PROTECTION

Standard on all straight and folding frame models, C-Flex springs protect tined rollers from impact and shock loads in stony conditions. Additional protection includes a Travel Protection Bumper and Lanyard Chain.

## OPTIONAL FEATURES

### REAR HITCH



### BALLAST BLOCKS



### PULL-TYPE WHEEL KITS



### HARROW BARS



### FINISHING SYSTEMS



# FINISHING SYSTEMS

## OPTIONAL HARROW SYSTEM

Salford's flexible harrow systems enhance the operation of your AerWay tillage equipment by adding additional leveling power and enhancing seed bed preparation by loosening the soil and the seed zone and reducing overall soil clod size to improve seed to soil contact. There are several types of Salford harrow systems that fit Salford's AerWay Advanced Aeration products.

### FIVE PITCH SETTINGS

Increased leveling performance, or more shallow angles for less aggressive operation and increased residue flow.

### TINE HARROWS

Mounted on a parallel linkage for maximum down pressure as well as flotation. Multiple pitch settings allow for maximum leveling performance and residue flow.

### ROLLING HARROWS

Available in 14 in. diameter to provide optimal operation at different speeds. 14 in. rolling harrows will also provide improved clod resizing and obstacle protection.

### HARROW HEADS

Allow for multiple height settings of the overall harrow kit to match the clearance of the machine. The heads can mount directly to most frame sizes if extensions are not required. The harrow head also has five depth settings for the tine harrows.

### 5 INDIVIDUAL DOWN PRESSURE SETTINGS

5 individual down pressure settings and adjust quickly and easily with a quick adjustment tool provided with your harrow kit.



### DOUBLE ROLLING HARROWS

1 1/2 in. - 2 in. deep penetration. High carbon steel for maximum durability, with reinforcements to help prevent rocks from entering the roller. The 14 in. rollers excel in finer operations behind slower equipment.

# C-FLEX

**STRAIGHT FRAME (AWS)  
FOLDING FRAME (AWF)**

AerWay provides farmers with a versatile, cost-effective solution to rising input costs and unpredictable commodity prices. Its Quick Adjust feature allows users to fine-tune the roller swing angle between 0° and 10°, optimizing aeration, renovation, overseeding, and field preparation for better input retention and root development. By requiring fewer field passes, especially when paired with attachments, AerWay helps farmers save time and money while boosting yields.

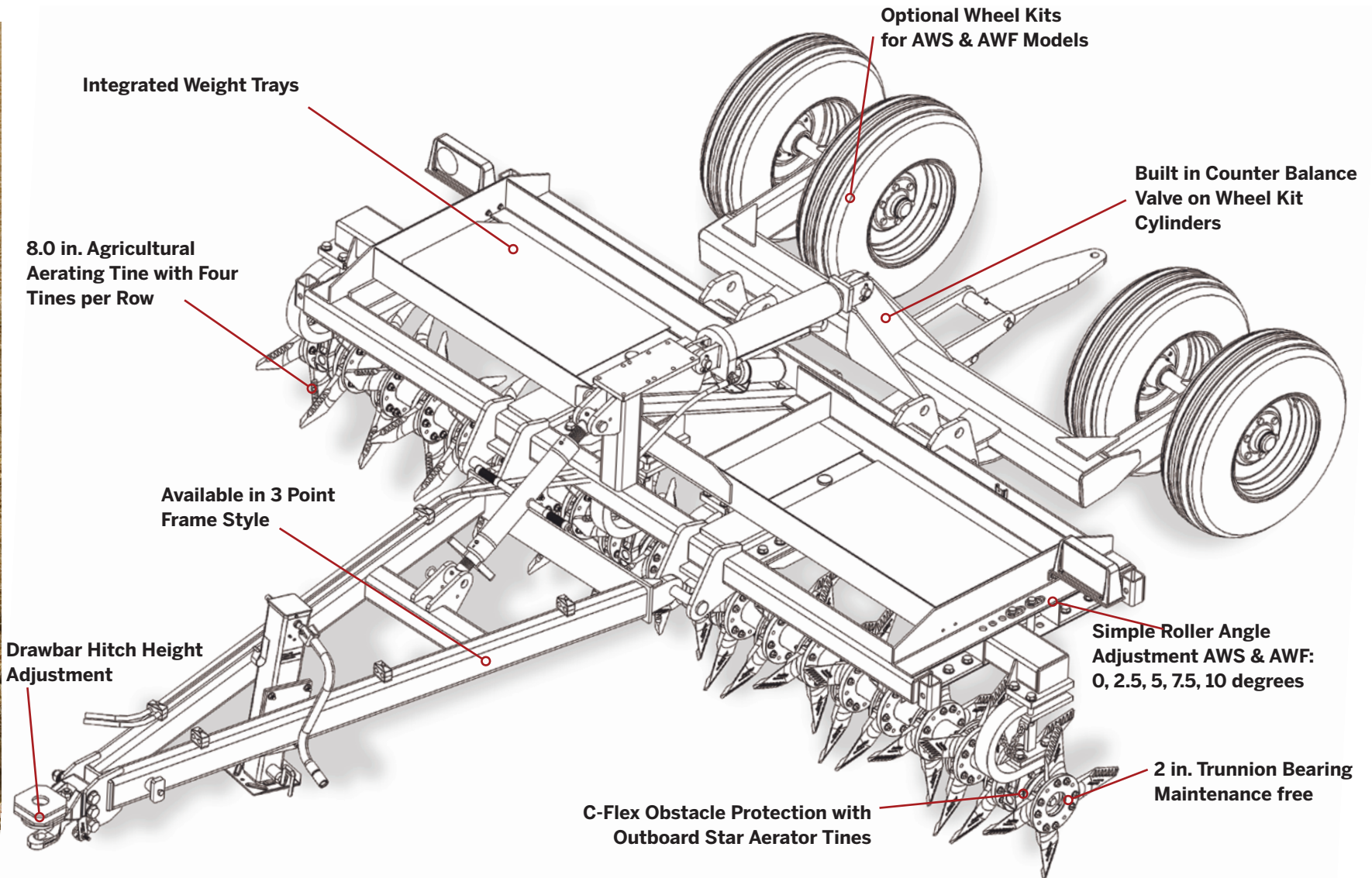
Built for year-round use, AerWay helps aerate, warm, and loosen soils in spring, relieve compaction after hay cutting, and enhance rotational grazing productivity. Designed to withstand tough field conditions, it ensures dependable performance season after season, leading to healthier crops, improved yields, and better animal health.

	Model	Size	Transport Width	# of Tines	Approx. Weight**	H.P. Required*
<b>AWS STRAIGHT FRAME</b>	AWST125	12.5 ft.	13ft.	80	6,620 lbs.	75 - 125
	AWST150	15 ft.	15 ft. 6 in	96	7,260 lbs.	90 - 150
	AWST200	20 ft.	20 ft. 6 in.	128	8,680 lbs.	120 - 200
<b>AWF FOLDING FRAME</b>	AWFT200	20 ft.	12 ft. 6 in.	128	10,615 lbs.	120-200
	AWFT25N***	25 ft.	12 ft. 6 in.	160	11,980 lbs.	150 - 250
	AWFS300***	30 ft.	15 ft. 6 in.	192	14,010 lbs.	180 - 300
	AWFT400	40 ft.	20 ft. 9 in.	256	25,640 lbs.	240 - 400

\*Horsepower requirements vary by speed and operating depth. \*\*Approx. weight includes harrows \*\*\* Available with optional short roller wings



# 4 SETTING ROLLER ANGLE ADJUSTMENTS | YEAR-ROUND SOIL OPTIMIZATION | BOOST YIELDS



# CCT

## STRAIGHT FRAME (AWS) FOLDING FRAME (AWF)

AerWay's Close Coupled Tandem (CCT) machine, available in Straight Frame and Folding models, delivers enhanced soil aeration and residue management for farms of all sizes. Its overlapping tined rollers loosen soil and mix residue for a superior field finish, while Quick Adjust swing arms allow fine-tuning of compaction relief and aeration. Straight Frame models range from 12.5 to 20 ft., with Folding models up to 40 ft.

Both models feature a durable frame with integral weight trays and optional attachments like the AerWay Pull Type Wheel Kit. With 3 tines per row and no-lube bearings, the CCT offers an efficient, adjustable solution for diverse field conditions.

	Model	Size	Transport Width	# of Tines	Approx. Weight**	H.P. Required*
AWS STRAIGHT FRAME	AWST125	12.5 ft.	13 ft.	120	8,010 lbs.	140 - 180
	AWST150	15 ft.	15 ft. 6 in.	144	8,850 lbs.	170 - 210
	AWST200	20 ft.	20 ft. 6 in.	192	10,860 lbs.	220 - 280
AWF FOLDING FRAME	AWFT200	20 ft.	12 ft. 6 in.	192	12,935 lbs.	220 - 280
	AWF25N***	25 ft.	12 ft. 6 in.	240	14,720 lbs.	280 - 350
	AWFS300***	30 ft.	15 ft. 6 in.	288	17,260 lbs.	330 - 420
	AWFT400	40 ft.	20 ft. 9 in.	384	30,250 lbs.	440 - 560

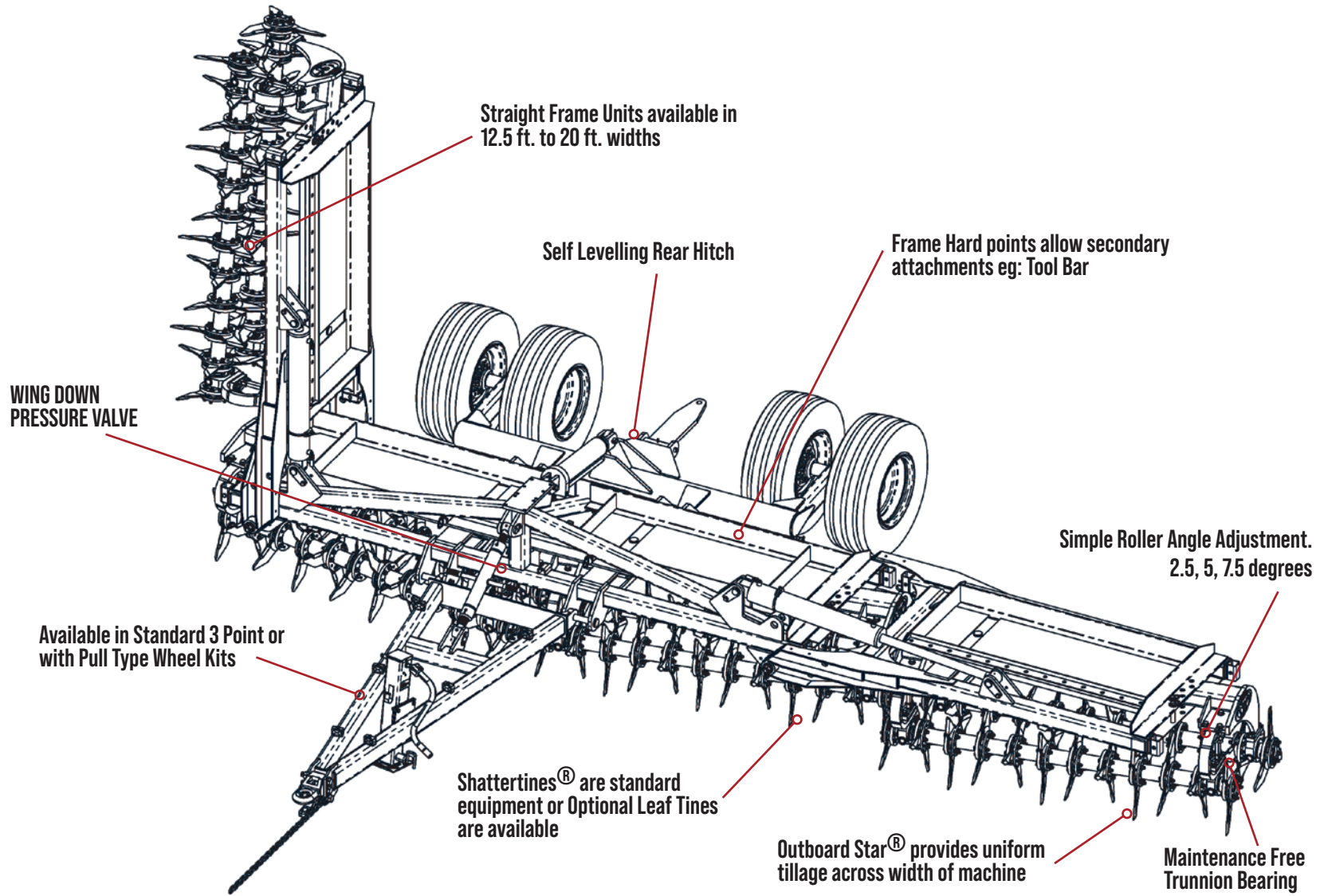
\*Horsepower requirements vary by speed and operating depth. CCT AerWay® - 3.75 in. effective tine spacing

\*\*Approx. weight includes harrows \*\*\* Available with optional short roller wings





# ENHANCED AERATION | ADJUSTABLE COMPACTION RELIEF | 3 SETTING ROLLER ANGLE ADJUSTMENTS









See our full line of products and find your local dealer at [salfordgroup.com](https://salfordgroup.com) or call 1-866-442-1293

       
@salfordgroup

Products and specifications subject to change without notice and without liability therefore. Images may include optional equipment. Salford® is a registered trademark of Salford Group Inc. Copyright© 2024 Salford Group Inc. 2024.09 # 10016961 - LITERATURE, SALFORD, AerWay TILLAGE



**SALFORD** FIELD YOUR BEST

CANADA | USA